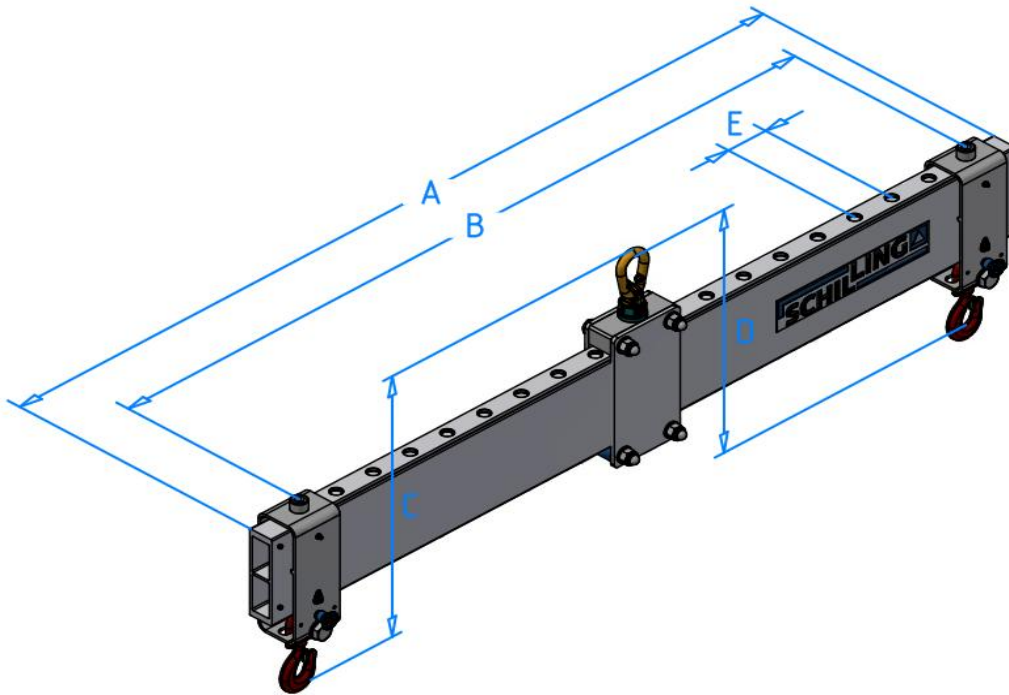


# Aluminium Cross-Beam

Load capacity 1.000 kg, 1.500 kg, 2.000 kg, 3.000 kg



item no.	load capacity	beam length	adjustment dimension / working width		total height	construction height	adjustment range	weight
			min.	max.				
	kg	A mm	B mm	mm	C mm	D mm	E mm	kg
<b>1.000 kg</b>								
521020	1000	2000	400	1800	671	623	100	51
521030	1000	3000	400	2800	671	623	100	65
521040	1000	4000	400	3800	671	623	100	79
521050	1000	5000	400	4800	671	623	100	93
<b>1.500 kg</b>								
521520	1500	2000	400	1800	671	623	100	52
521530	1500	3000	400	2800	671	623	100	66
521540	1500	4000	400	3800	671	623	100	80
521550	1500	5000	400	4800	671	623	100	94
<b>2.000 kg</b>								
522020	2000	2000	400	1800	735	675	100	54
522030	2000	3000	400	2800	735	675	100	68
522040	2000	4000	400	3800	735	675	100	82
<b>3.000 kg</b>								
523020	3000	2000	400	1800	735	675	100	54
523030	3000	3000	400	2800	735	675	100	68